

64.00 AS CAST  
63.00 REUSABILITY

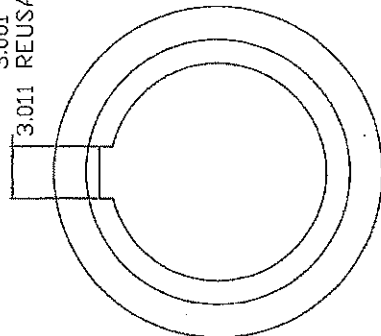
12.501  
12.511 REUSABLE

11.00

CENTER  
LINE

3.001  
3.011 REUSABLE

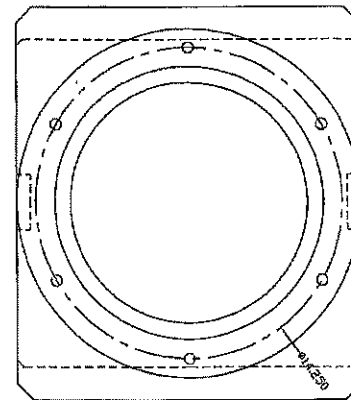
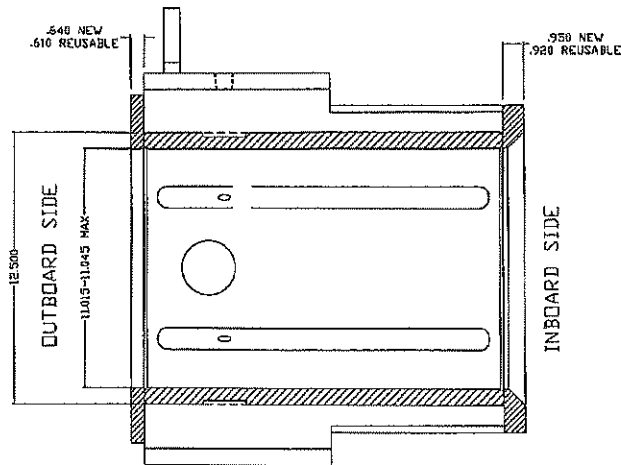
4100  
stradle mount



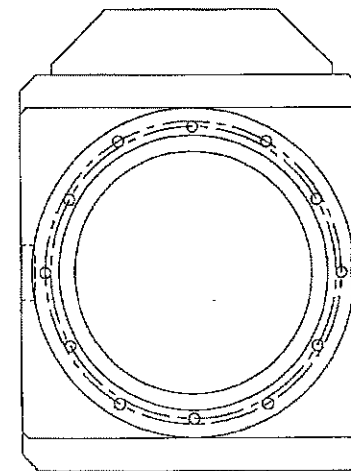
**Rocky Mountain Machine Shop**  
1165 S. Pioneer Rd  
SLC, UT

**Tolerances**  
3 PLC ± .005  
2 PLC ± .030

customer	
MFG	
piece	SHOVEL IDLER
RD	
modal	
P.N.	



OUTBOARD SIDE



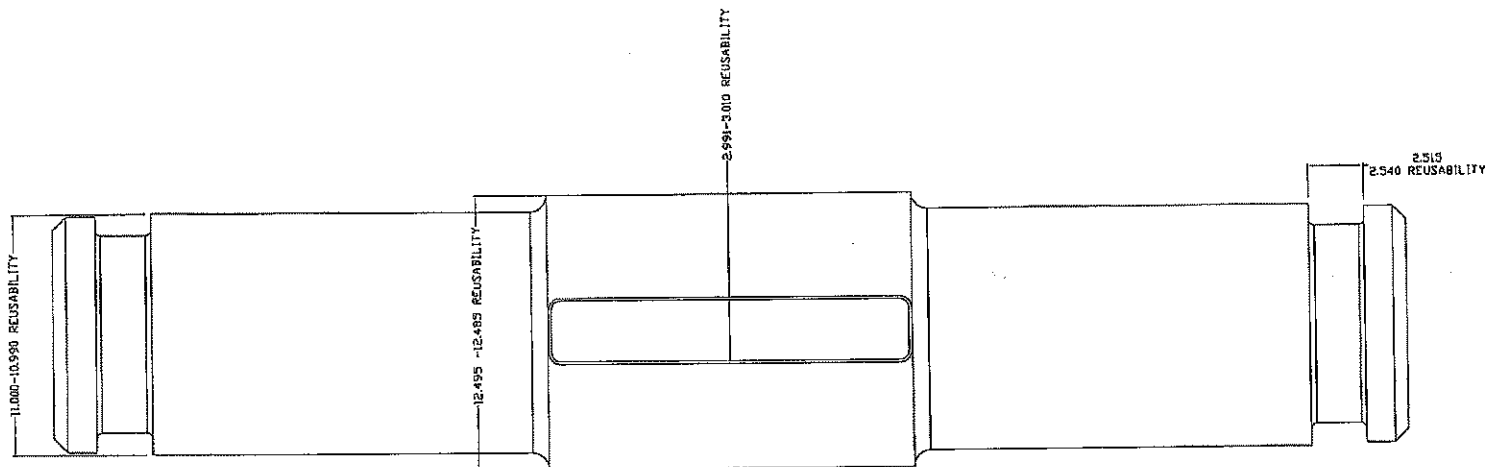
INBOARD SIDE

SHOVEL IDLER  
BEARING BLOCK STRADLE MOUNT  
BEARING INSTALLED IN BLOCK

**Rocky Mountain Machine Shop**  
1165 S. Pioneer Rd  
SLC, UT

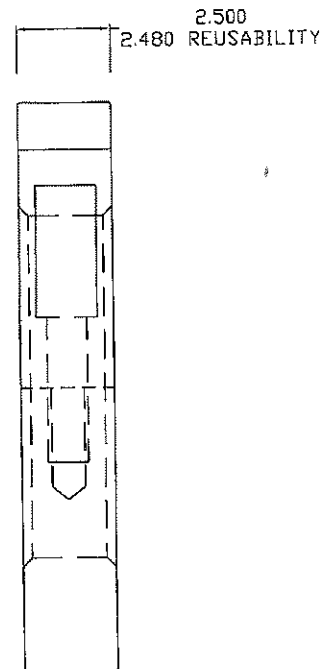
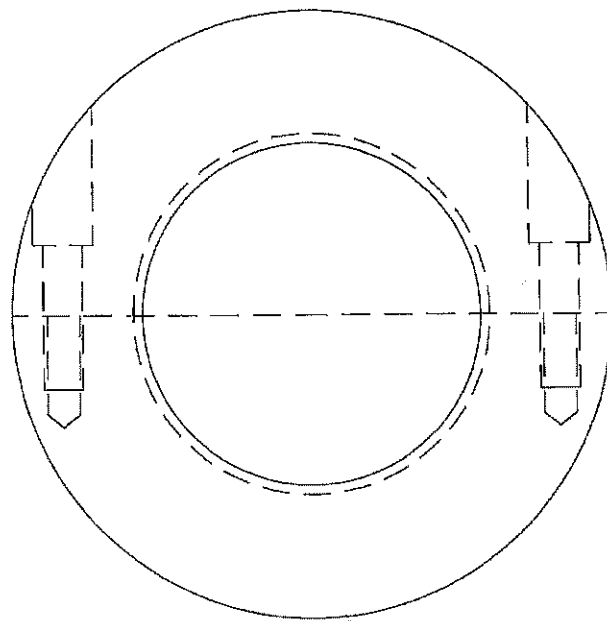
OUTBOARD SIDE  
**Tolerances**  
3 PLC  $\pm .005$   
2 PLC  $\pm .030$

customer	
SFC	
drawn	checked
date	date
piece	11" BEARING HOUSING
RD	mode
	P.K.



4100 STRADDLE MOUNT IDLER SHAFT

<b>Rocky Mountain Machine Shop</b> 1165 S. Pioneer Rd SLC, UT	<b>Tolerances</b> 3 PLC ± .005 2 PLC ± .030	customer
	<small>drawn</small> <small>checked</small>	MFC
	<small>date</small>	piece
	<small>RD</small> <small>made</small> <small>EN</small>	



SHOVEL IDLER  
RETAINER PLATES

<b>Rocky Mountain Machine Shop</b> 1165 S. Pioneer Rd SLC, UT	<b>Tolerances</b> 3 PLC ± .005 2 PLC ± .030		MFG	
	drawn	checked	customer	
date		RO	Assembly	P.N.